

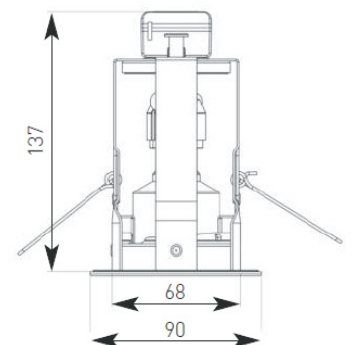
Product Data Sheet

iCage 50W GU10/MR16 Die-Cast Downlight

Supplied Less Lamp



- Dedicated forward heat lamps NOT required
- Supplied c/w GU10 AND MR16 lampholders
- Extra large terminals for fast loop-in, loop-out wiring
- Twistlock lamp retaining ring for ease of lamp replacement
- Ultra-slim bezel profile
- Will accept GU10 CFL and LED lamps



Lamp Options



50W GU10
Halogen

50W MR16

Up to 14W
GU10 CFL

7W Megaman
GU10 LED

7W Philips
GU10 LED

Code	Lamp	Description
AICD/W	MR16 or GU10	50W - White
AICD/BR	MR16 or GU10	50W - Brass
AICD/CH	MR16 or GU10	50W - Chrome
AICD/SC	MR16 or GU10	50W - Satin Chrome



MR16 GU10



ANSELL DESIGN

Product Data Sheet

iCage 50W GU10/MR16 Die-Cast Downlight Solutions 6

Terminals comfortably accept 2 x 1.5 Twin and Earth cables with screwless snap-fit cover and cable clamp, for ease and speed of installation

Patented intumescent disc

Open design of fitting allows lamp to 'breathe' providing optimum lamp life and allows for use of ALL suitable branded lamps

Sleeved AND double insulated high temperature cable

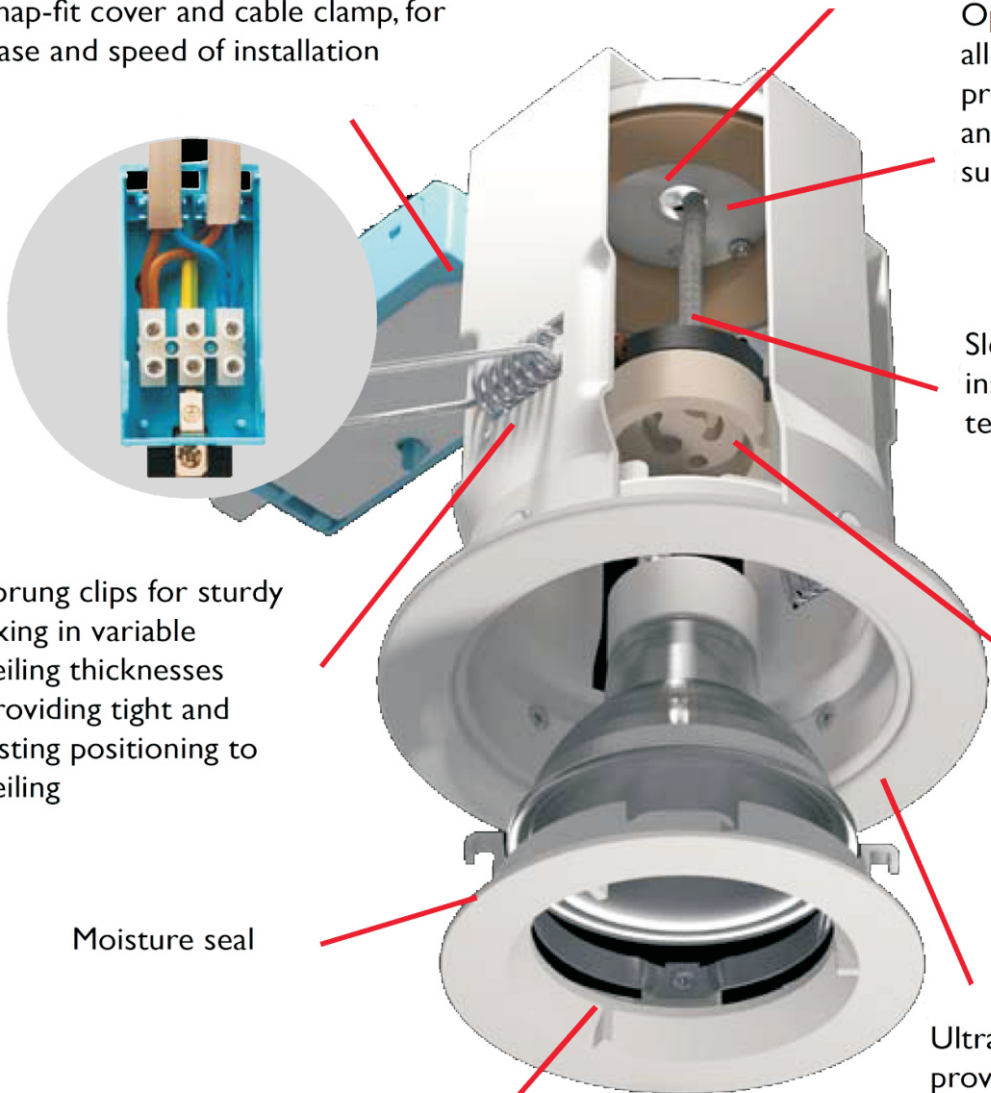
Supplied c/w GU10 & LV Lampholders (except low energy versions)

Sprung clips for sturdy fixing in variable ceiling thicknesses providing tight and lasting positioning to ceiling

Moisture seal

Ultra slim bezel provides minimalistic look

Twistlock operation for easy lamp installation and replacement



Product Data Sheet

iCage 50W GU10/MR16 Die-Cast Downlight

You can trust iCage



Part B – Fire Safety (30, 60 and 90 minute ceilings)

Part B of the Building Regulations has been a legal requirement since 1987.

The scope of the current regulation, published in 2000, requires that the building structure should provide adequate resistance to fire so as to aid the escape of personnel.

The categories of resistance to fire are split into three defined and structurally different ceiling sections



The ceiling is constructed with ceiling joists at 600mm spacings and a single layer of 12.5mm plasterboard fixed to the underside of the joist.



The ceiling is constructed with ceiling joists at 600mm spacings and a dual layer of 15mm plasterboard fixed to the underside of the joist.



The ceiling is constructed with ceiling joists at 450mm spacings and a dual layer of 15mm plasterboard fixed to the underside of the joist.

ALL iCage downlights have passed this rigorous testing

www.anselluk.com



Product Data Sheet

iCage 50W GU10/MR16 Die-Cast Downlight



Part C - Moisture Protection

It is important to limit the amount of moisture that is allowed to pass into a potentially cold ceiling void or roof space as current modern building methods can negate the need for ventilated spaces.

Under the requirements of Part C every effort should be made to prevent moisture entering the cold roof space from habited areas. It is therefore a requirement for any equipment installed into a ceiling, to restrict the passage of moisture laden air into the cold roof void.

For Part C compliance, air at a rate not greater than 0.06m³/hr/m², is permitted to pass through the fitting at an air pressure of 2 Pascal's.

Part C has been a basic requirement for all new buildings constructed 1st July 2005.

All iCage standard and IP65 downlights have passed this rigorous testing.



Part E - Acoustic (Resistance to Passage of Sound)

The intrusion of sound and noise pollution can have an impact upon health. It is therefore important to limit sound intrusion from adjacent rooms.

All iCage standard and IP65 downlights have been designed to limit the passage of sound.

All iCage standard and IP65 downlights have passed this rigorous testing.



Part L - Conservation of Fuel and Power

With the environment at the top of the global agenda, it is vital that energy efficient equipment is used. The current 2006 document details a requirement for one per four fixed lighting fittings to comply and also luminaires that only accept energy efficient lamp.

The iCage range includes dedicated energy saving versions, offering CFL and LED options.

L1A refers to new dwellings, whilst L1B is for existing properties

Building regulations quoted apply to England and Wales. Variations may apply in other territories, please consult relevant local authorities in such cases.

