

TAMPA (TA)



Available in 3 colours



IP65 slim aluminium diecast asymmetric floodlights for 70W & 150W metal halide lamps.

APPLICATIONS

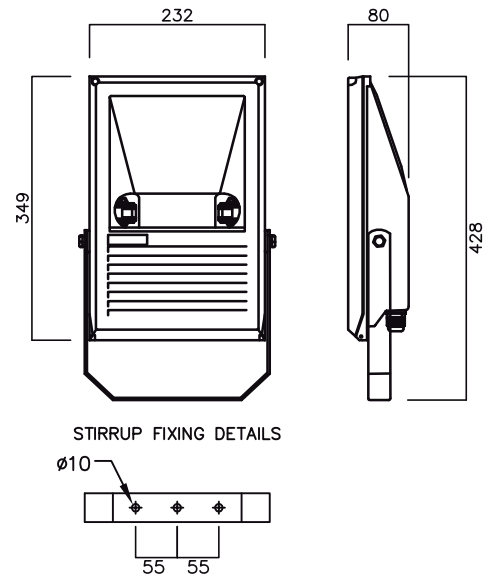
- Signage
- Fascias

SPECIFICATION

- 70W & 150W Metal Halide double ended lamp
- Supplied complete with European brand colour 740 lamp
- Asymmetric distribution

CONSTRUCTION

- Aluminium diecast body and cover
- Available in a choice of 3 light textured colours:
 - Matt grey
 - Matt white
 - Matt black
- Hinged single-piece cover retained on stainless steel screws
- Polished aluminium reflector with dimpled finish
- Weight:
 - 70W 3.35Kg
 - 150W 4.35Kg
- Windage = 0.08m²



ORDER CODE	DESCRIPTION
NTA70HQI-DE/740	TAMPA 70W MH GREY SLIM ALU FLOOD + LAMP
NTA150HQI-DE/740	TAMPA 150W MH GREY SLIM ALU FLOOD + LAMP
NTA70HQI-DE/WH/740	TAMPA 70W MH WHITE SLIM ALU FLOOD + LAMP
NTA150HQI-DE/WH/740	TAMPA 150W MH WHITE SLIM ALU FLOOD + LAMP
NTA70HQI-DE/BK/740	TAMPA 70W MH BLACK SLIM ALU FLOOD + LAMP
NTA150HQI-DE/BK/740	TAMPA 150W MH BLACK SLIM ALU FLOOD + LAMP