

EDMONTON (ED)



IP54 post top fitting for SON, HQI and 42W PL lamps.

APPLICATIONS

- Parks and gardens
- Urban amenity areas

SPECIFICATION

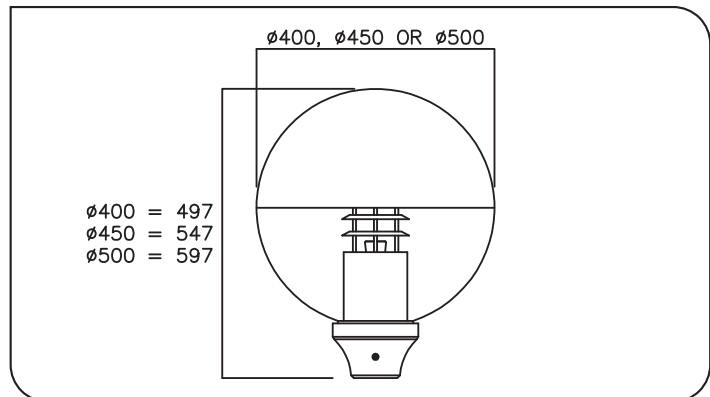
- All supplied with premium brand lamp in wattages as listed
- For 76mm spigot mounting.

CONSTRUCTION

- Supplied as 2 items, gallery assembly and globe. Gallery assembly comprises gallery, gear (remote on 150W versions), cover pipe, stainless steel louvre and lamp
- Total weight:
 - 70W, 100W 4.5Kg
 - 150W 2.7Kg (gear remote)
 - 42W 2.9Kg
- Windage = 0.2m² max

OPTIONS

- **Globe diameter.** Choice of 400, 450 and 500mm, as listed
- **Globe finish.** Polycarbonate, clear with black top (CL/BL) as stocked and listed. Other finishes, clear (CL) & opal (O) available as listed. Please check availability before ordering.
- **Spigot diameter.** 76mm as standard. 60mm available by special order. Spigot reducers are available, see page 152



GALLERY ASSEMBLIES

ORDER CODE	DESCRIPTION
NED/70SON-EI/GAS/76/220	EDMONTON 70W SON-EI SH GALLERY 76MM +220LAMP
NED/70HQI-E/GAS/76/740	EDMONTON 70W HQI-E SH GALLERY 76MM +740LAMP
NED/100HQI-E/GAS/76/740	EDMONTON 100W HQI-E SH GALLERY 76MM +740LAMP
NED/150HQI-E/GAS/76/740	EDMONTON 150W HQI-E SH GALLERY 76MM +740LAMP
NED/142/PLT/GAS/76/840	EDMONTON 1X42W PLT SH GALLERY 76MM +840LAMP

GLOBES

ORDER CODE	DESCRIPTION
NED/HE/400/PC/CL	EDMONTON HEAD POLY-C 400MM CLEAR GLOBE
NED/HE/400/PC/CL/BL	EDMONTON HEAD POLY-C 400MM CLEAR BLACK TOP GLOBE
NED/HE/400/PC/O	EDMONTON HEAD POLY-C 400MM OPAL GLOBE
NED/HE/450/PC/CL	EDMONTON HEAD POLY-C 450MM CLEAR GLOBE
NED/HE/450/PC/CL/BL	EDMONTON HEAD POLY-C 450MM CLEAR BLACK TOP GLOBE
NED/HE/450/PC/O	EDMONTON HEAD POLY-C 450MM OPAL GLOBE
NED/HE/500/PC/CL	EDMONTON HEAD POLY-C 500MM CLEAR GLOBE
NED/HE/500/PC/CL/BL	EDMONTON HEAD POLY-C 500MM CLEAR BLACK TOP GLOBE
NED/HE/500/PC/O	EDMONTON HEAD POLY-C 500MM OPAL GLOBE