

ALASKA T5 (AK)



To fit ALASKA to ceiling:

- 1 Fix mounting brackets to ceiling
- 2 Prepare cable entry hole, rear or end
- 3 Snap-fit body to brackets



IP65 surface mounted linear fluorescent fittings for T5 lamps.

APPLICATIONS

- Industry, garages and workshops
 - Changing rooms
 - Suitable for use to -10°C.
- For applications with lower temperatures please contact NVC.

SPECIFICATION

- For T5 lamps. Supplied excluding lamps

CONSTRUCTION

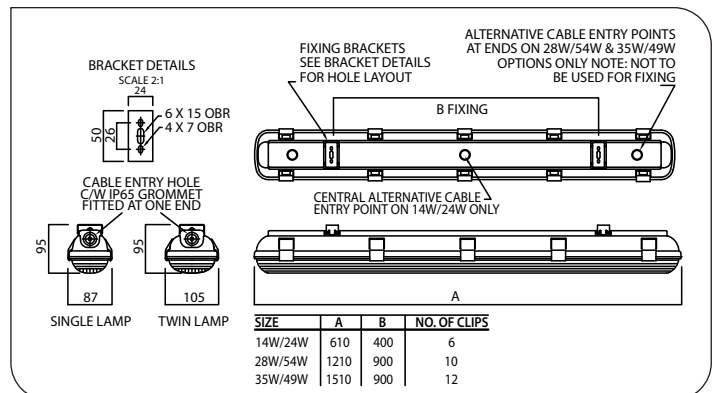
- ABS base
- Polycarbonate controller & clips
- Steel gear tray held on straps for ease of installation
- Supplied complete with mounting kit

OPTIONS

- **Emergency.** Maintained 3 hours available in all versions except 14W. Add suffix M3. 2 x 49W M3 Ta = 20°C
- **Dimming.** Available in all versions except 14W. Add suffix 1-10, DSI, DA, SD or CF

ACCESSORIES

- See page 116



ALASKA T5 HF

ORDER CODE	DESCRIPTION
NAK114/T5	ALASKA 1X14WT5 NONCORROSIVE NOLAMP
NAK128/T5	ALASKA 1X28WT5 NONCORROSIVE NOLAMP
NAK135/T5	ALASKA 1X35WT5 NONCORROSIVE NOLAMP
NAK149/T5	ALASKA 1X49WT5 NONCORROSIVE NOLAMP
NAK154/T5	ALASKA 1X54WT5 NONCORROSIVE NOLAMP
NAK214/T5	ALASKA 2X14WT5 NONCORROSIVE NOLAMP
NAK228/T5	ALASKA 2X28WT5 NONCORROSIVE NOLAMP
NAK235/T5	ALASKA 2X35WT5 NONCORROSIVE NOLAMP
NAK249/T5	ALASKA 2X49WT5 NONCORROSIVE NOLAMP
NAK254/T5	ALASKA 2X54WT5 NONCORROSIVE NOLAMP