

NPH128/T5 NPH135/T5



Description

Surface mounted batten fitting for T5 lamps, emergency version available

Construction

- Robust steel housing in white powder coated finish
- Polycarbonate lamp holder and end caps

Specification

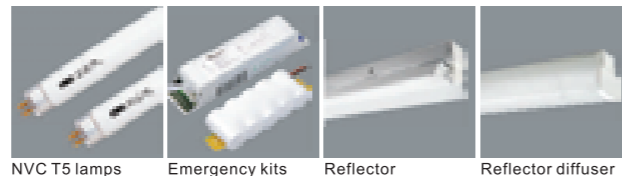
- Supplied with high frequency electronic ballast available, power factor>0.98
- Lamp is not included

Applications

- Office lighting
- General commercial lighting

Options

- NVC T5 lamps
- Emergency kits up to 3 hours maintenance
- Specular aluminum reflector
- Polycarbonate cover

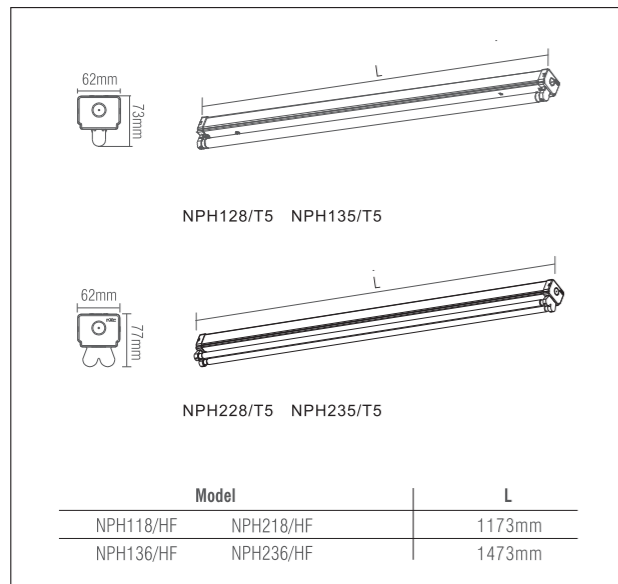


NVC T5 lamps Emergency kits Reflector Reflector diffuser

Color



NPH228/T5 NPH235/T5



NPH149/T5 NPH154/T5



Description

Surface mounted batten fitting for high output T5 lamps, emergency version available

Construction

- Robust steel housing in white powder coated finish
- Polycarbonate lamp holder and end caps

Specification

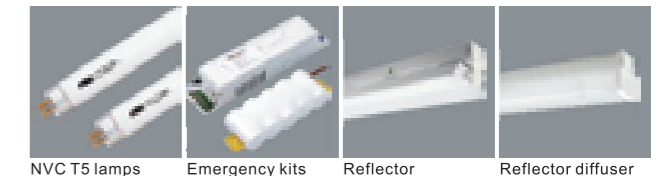
- Supplied with high frequency electronic ballast available, power factor>0.98
- Lamp is not included

Applications

- Office lighting
- General commercial lighting

Options

- NVC T5 lamps
- Emergency kits up to 3 hours maintenance
- Specular aluminum reflector
- Polycarbonate cover

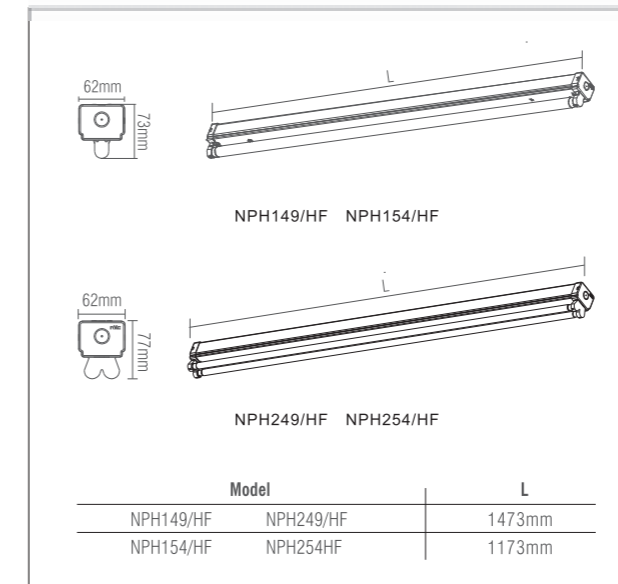


NVC T5 lamps Emergency kits Reflector Reflector diffuser

Color



NPH249/T5 NPH254/T5



Model	Lamp	Power factor	QTY/CTN	CTN Dimension
NPH128/T5	T5 1x28W	0.98	4PCS	1200x195x130mm
NPH228/T5	T5 2x28W	0.98	4PCS	1200x195x130mm
NPH135/T5	T5 1x35W	0.98	4PCS	1500x195x130mm
NPH235/T5	T5 2x35W	0.98	4PCS	1500x195x130mm

Model	Lamp	Power factor	QTY/CTN	CTN Dimension
NPH149/T5	T5 1x49W	0.98	4PCS	1500x195x130mm
NPH249/T5	T5 2x49W	0.98	4PCS	1500x195x130mm
NPH154/T5	T5 1x54W	0.98	4PCS	1200x195x130mm
NPH254/T5	T5 2x54W	0.98	4PCS	1200x195x130mm