

# Remote Controls

Two types of infra-red remote controls are available:

A Setup Remote - to setup and optimize the sensor at or after installation and

A User Remote - to offer the end user an additional level of control



## Setup Remote Control



Sensor heads come factory set with a timeout of 20 minutes but for other timeouts, setting the light level, or setting up for other operational modes\* a Setup Remote control will be required.

\* Depending on the type of sensor up to 3 operational modes can be enabled/disabled:

**Daylight Dependency** - applicable only where the sensor includes an **fnh400** type sensor head.

**Manual Dimming** (at switch) - applicable only if the Control Pack is a dimming version and wall switch is retractive type.

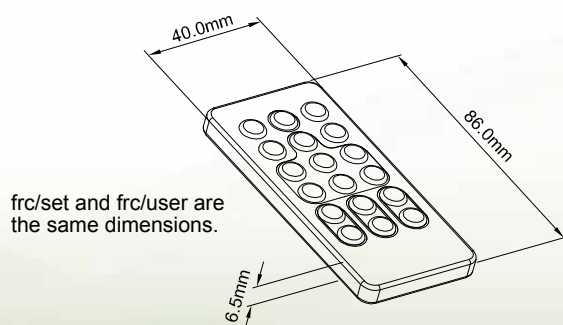
**Presence Detection** - applicable only in absence mode where wall switch is retractive type (an increasingly popular form of control - a hybrid of occupancy and absence operation).

## User Remote Control



Providing additional control for the end user it comes complete with its own holster with self adhesive pads ready for immediate attachment to wall, desk, computer etc.

Can be used on any sensor to operate the lights on or off but is particularly suited to the Series **3000/4000** dimming type to provide dim up/dim down, as well as the ability to store and recall up to 6 discreet light levels.



### Ordering flex7 Remote Controls

<b>set</b>	Setup remote control
<b>user</b>	User remote control

frc/